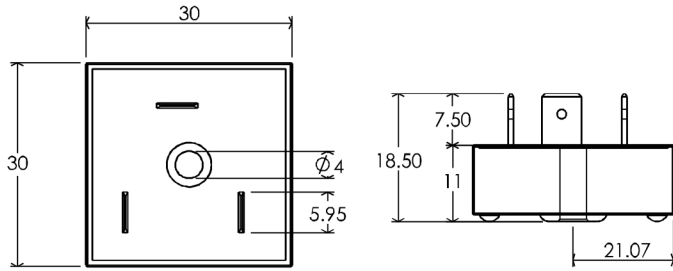


ELECTRONIC CENTRIFUGAL SWITCHES FOR CAPACITOR START (& RUN) INDUCTION MOTORS

ECS 125P



MODEL CHART

| Switching part | Motor ratings | | |
|----------------|---------------|-----------------------|-------|
| | Hp | Aux. coil rating volt | Pole |
| T2535-800G | 0.5~3.0Hp | 100 ~ 120 VAC | 2,4,6 |

* These models are designed for both capacitor start motors and two (start + run) capacitor motors. For motor operating voltage of 220VAC, Please refer to typical wiring diagram of this datasheet.

ELECTRICAL CHARACTERISTICS (TYPICAL RATINGS OTHER THAN SPECIFIED)

| Parameter | ECS125P | Unit |
|---|-----------|-------|
| Non repetitive peak current @ half cycle, 50/60Hz | 250 | A |
| Thermal impedance @ 7.4sec, 25A | 2.1 | °C/W |
| Switch-on delay time @ 50/60Hz | 2 | cycle |
| *Discharge resistor | 12 | KΩ |
| **Forced switch-off locked rotor time | 60Hz | 7.4 |
| | 50Hz | 8.8 |
| **Maximum Number of successive restarts | 9 | - |
| Forced switch-off starting coil voltage | 200 ~ 250 | V |
| Line voltage, VL | 100 ~ 120 | V |
| Dielectric strength, between case and pins | >2500 | VDC |
| Insulation resistance, between case and pins | >10 | MΩ |
| Ambient air temperature | -20 ~ 60 | °C |

* For frequent (high duty) restarts, it is recommended to connect an additional resistor in parallel with starting capacitor.

**These can be initialized by either power interruptions or successful motor run states.

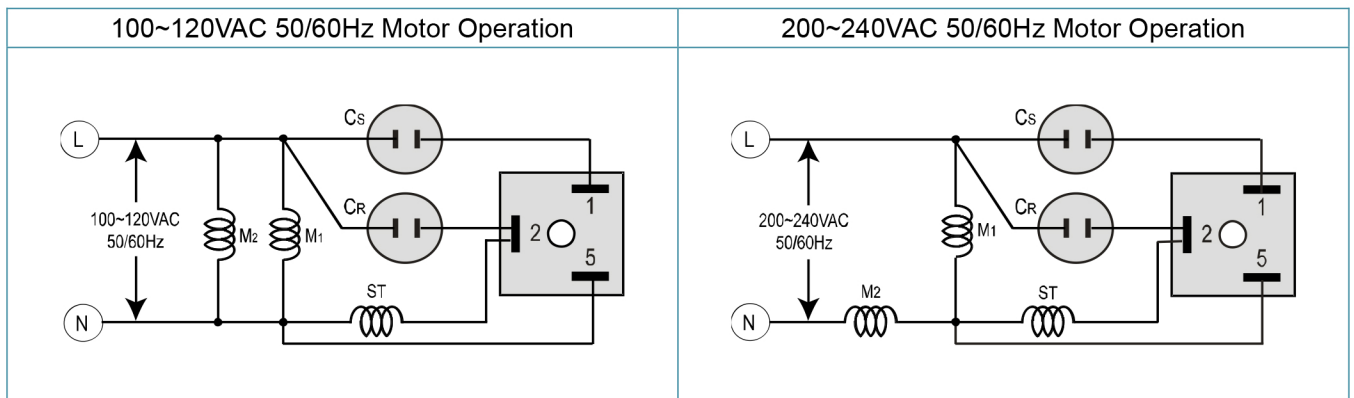
CERTIFICATION



IEC/ EN 60730-1 (Automatic electrical controls for household and similar use)

IEC/ EN 60730-2-10 (particular requirements for motor-starting relays)

TYPICAL WIRING



Cs : Starting Capacitor, CR : Run Capacitor, M₁, M₂ : Main Coil, ST : Starting Coil